



P15A

Active DSP Subwoofer

Technical Specifications



- 15 inch long-throw pro audio driver with 3 inch voice coil
- 350W of high-efficiency green Class-D amplification
- Maximum output 119 dB @ 50Hz
- - 3 dB point 24 Hz
- Standby power ensures that sub is active before program material starts by calibrating to processor noise level
- Polarity Normal/Reversed switch
- Sealed-box design with heavily braced MDF cabinet
- Ultra-slim profile (9" / 230mm deep)
- Recessed back-panel connectors enable placement against wall
- Selectable EQ for room boundary conditions:
 - Against wall
 - In corner

Frequency Response

-3 dB 24 Hz

Maximum SPL

@ 50 Hz 119dB

Components Long-throw 15" driver with 3 inch voice coil and cast aluminum chassis in 55 litre sealed box

Polarity Switchable Normal/Reversed

Room Settings Against wall
User selectable In corner

Amplifier 350W, Digital Class D

Connectivity Single balanced XLR
Single RCA input, Single RCA
output

Line Input 40 - 80 Hz, switchable 110 - 240V

Standby Programmable

Power Consumption Standby <0.5W
Full Power 440W

Safety Approval CE, FCC, CCC

Construction Heavily braced MDF

Finish White or Black matte painted finish, steel grille

Included Rubber mounting feet

Dimensions

HxWxD 19.875" x 27.5" x 9"
505 x 700 x 230 mm

Shipping Carton 23.6" x 31.5" x 15.75"
600 x 800 x 400 mm

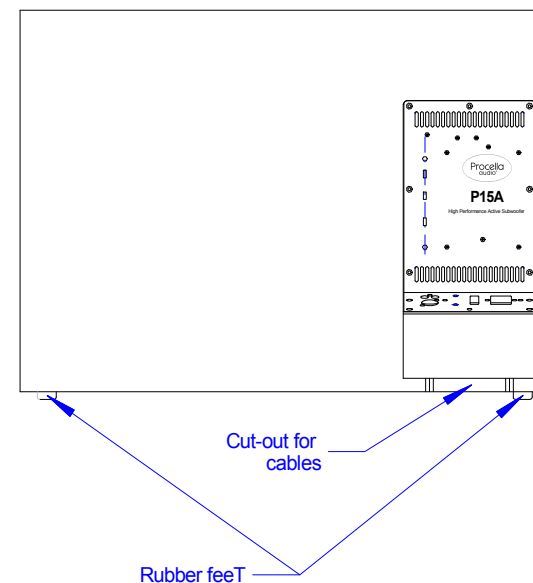
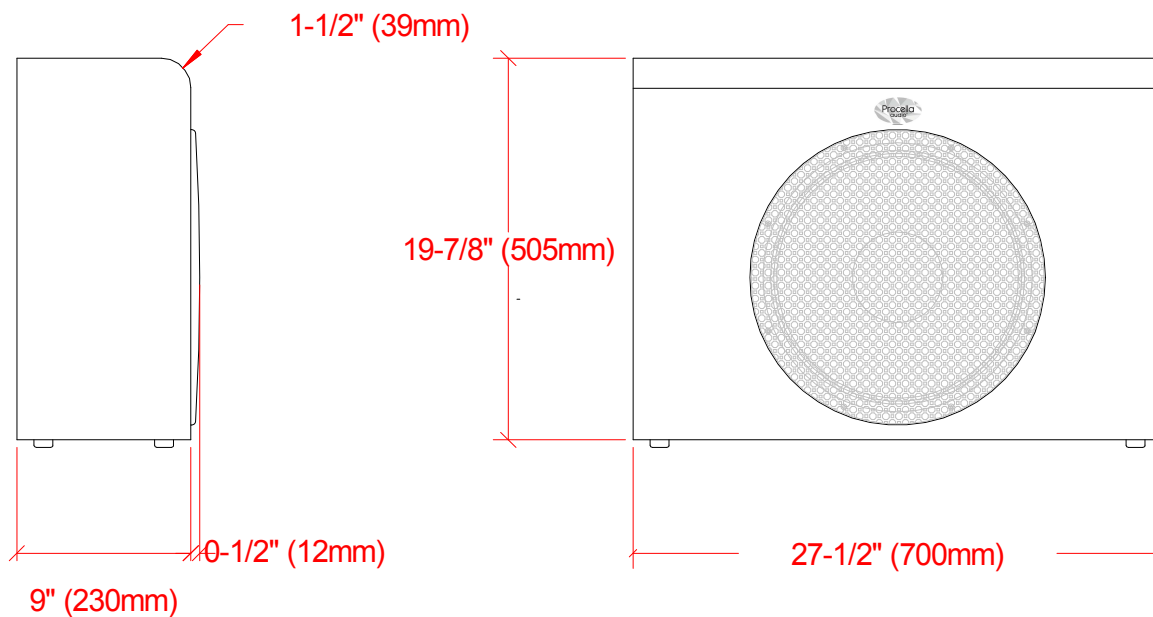
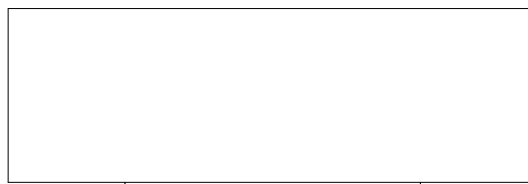
Net weight 55 Lbs / 25.0 Kg

Shipping weight 64 Lbs / 29.0 Kg

Included Power cord, XLR-RCA adaptor, Damper feet

Assembly Sweden; 100% QC testing

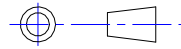
P15A



Black, White semi matte paint
VB: 53L - 40L filling
Packaging: 600x800x400mm



Procella P15A dimensions
Anders Uggeberg 19May -16
UPD: 16/8, 25/8

SUB15_vue.CAD 
Scale 1:10 (PDF/JPG-file not to scale)