



# V18

## Bass Engine Subwoofer

### Technical Specifications



- Extremely high output for the largest home cinemas, screening rooms and small cinemas
- V-Loaded driver configuration increases output, lowers distortion and improves transient response
- Twin 18" long-throw drivers with Neodymium magnets and 4" voice coils
- Critically reinforced sealed-box design
- Maximum output 143 dB @ 50 Hz
- - 3 dB point 18 Hz
- 1,200W+1,200W when external Procella DA06-DSP 2,400 Watt power amplifier is used
- DA-06 provides DSP control for room boundary conditions:
  - against wall, in corner,
  - in baffle wall

#### Frequency Response

- 3 dB      18 Hz

#### Maximum SPL @50 Hz

Continuous      137 dB  
Peak      143 dB

**Components**      Dual long-throw professional 18" drivers with 4" voice coil, Aluminum demodulation ring and Neodymium magnets in 205 litre sealed box

**Impedance**      Each driver is 8 ohms nominal

#### Power Handling

Continuous      2 x 1,200W  
Peak      2 x 3,000W

#### Sensitivity

1m/1W      105 dB

**Connectivity**      Dual gold-plated binding posts  
One input per driver

**Construction**      Heavily internally braced MDF  
Semi matte textured black paint finish

**Net weight**      178.5 Lbs / 81 Kg

#### Dimensions

HxWxD      20.5" x 41.3" x 26.375"  
520 x 1050 x 670 mm

**Shipping HxWxD**      47.25" x 31.5" x 31.5"  
(on pallet)      1200 x 800 x 800 mm

**Shipping weight**      220 Lbs / 100 Kg

**Included**      Damper feet, Protective grille

**Assembly**      Sweden; 100% QC testing

#### DA06-DSP Power Amplifier

Sold and packaged separately.  
See DA06-DSP Tech Sheet for details.

**Power**      1,200W + 1,200W continuous, Class D

**DSP Settings**      Against wall, in corner, in baffle wall  
User selectable

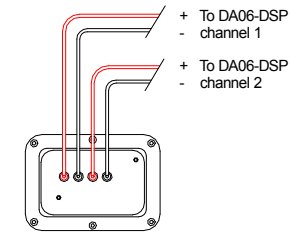
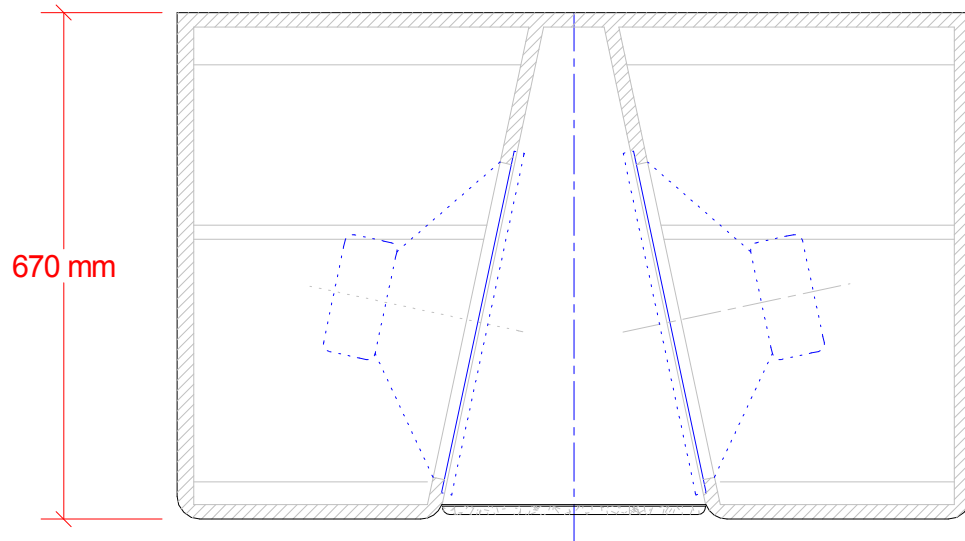
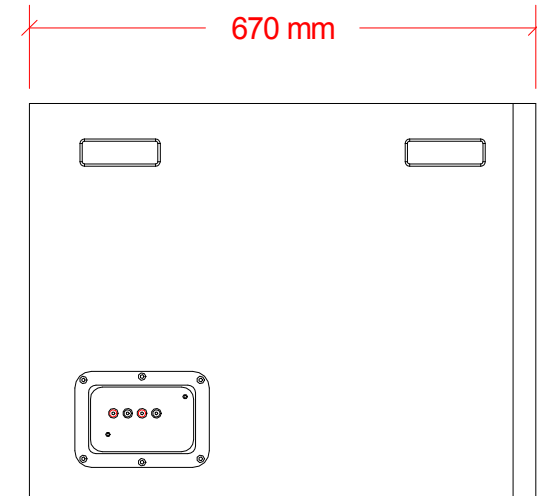
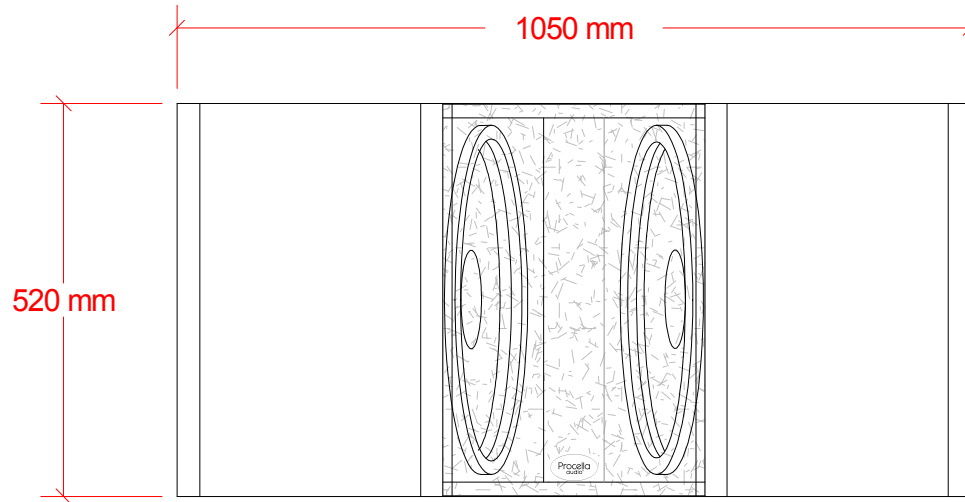
**Line Voltage**      100 - 250V, 40 - 80 Hz

#### Dimensions

W x H x D      483 mm (19" ) x 44 mm (1 U) x 359 mm (14.1")

**Weight**      6.2 kg (13.7 lbs)

# V18



Vb= 2x106L + 78L  
Sides: 22mm  
Back, Top, Bottom, Front : 19mm



**Procella V18**  
Anders Uggelberg 10/12 -15  
UPD: 18/2, 30/4  
Scale 1:10 (PDF/JPEG not to scale)  
V18\_vue.CAD

